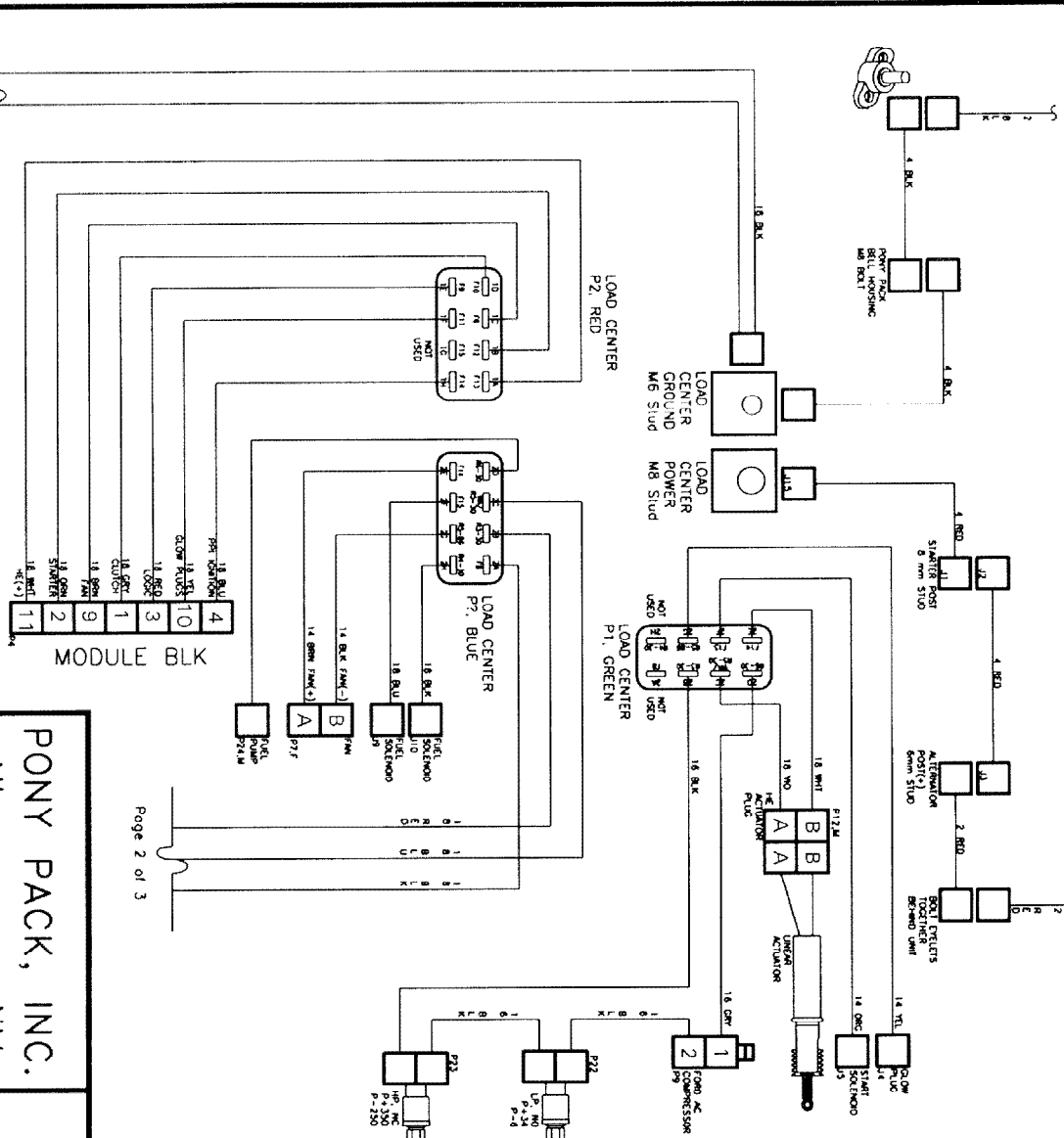


REAR OF UNIT  
ATTACH TRACK BATTERY  
GROUND HERE (L) OR  
STARTER POST (R) HERE  
SPECIFIED BY INSTALLER

TO TRACK BATTERY (P-1)  
CABLE SUPPLIED BY INSTALLER



Page 2 of 3

Page 2 of 3

**PONY PACK, INC.**  
Albuquerque, NM

**2004/06 Unit Wiring**  
Page 1

INCHES UNLESS NOTED OTHERWISE

ITEM NO \_\_\_\_\_ REV: \_\_\_\_\_

TOLERANCES  
2 PLC. = ± .03  
3 PLC. = ± .010  
4 PLC. = ± .0050  
ANGLES = ± 1°

DRAWING TYPE  
 DIMENSION  
 ASSEMBLY  
 SCHEMATIC  
 QUALIFYING  
 3D  
 OTHER

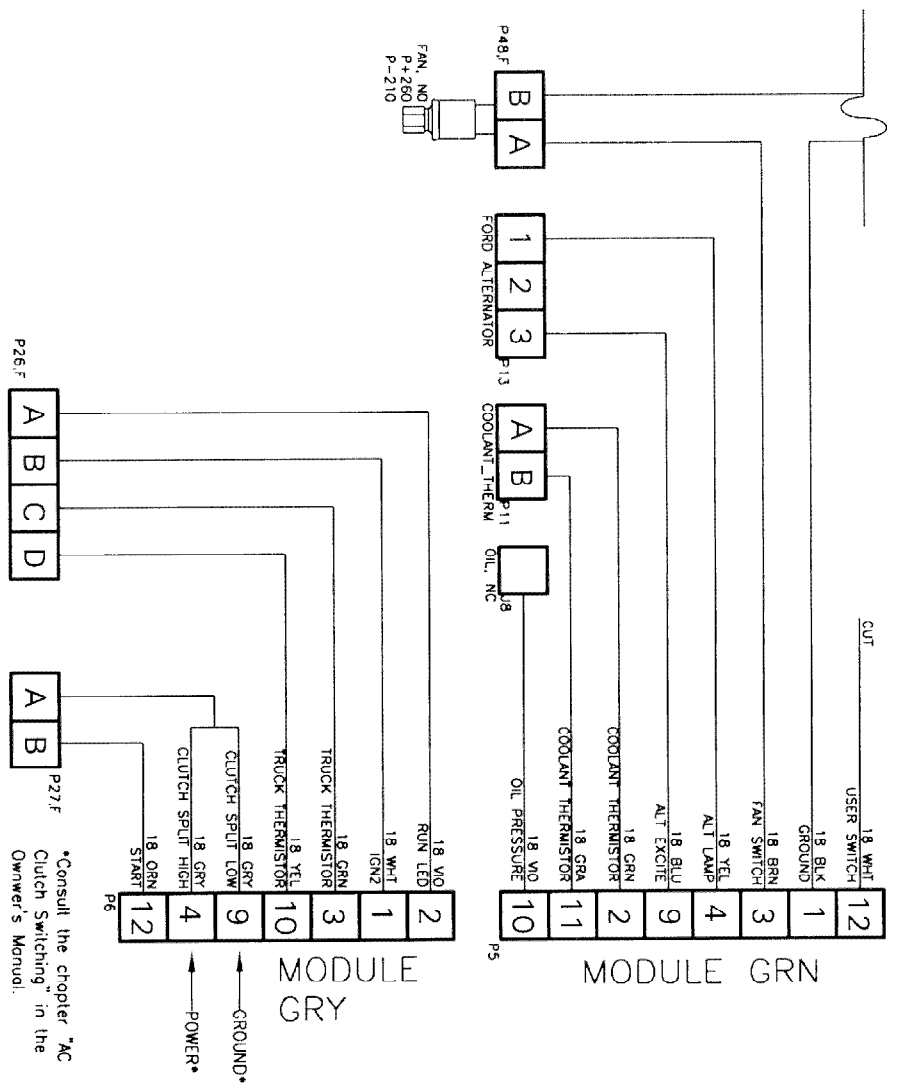
DRAWN BY: RSL DRAW DATE: 03-17-06 SCALE: None  
CHECKED BY: RSL RELEASE DATE: 03-17-06 SIZE: A  
APPROVED BY: DG LAST REVISION: SHEET: 1 of 3

**COMPONENTS SHOWN**

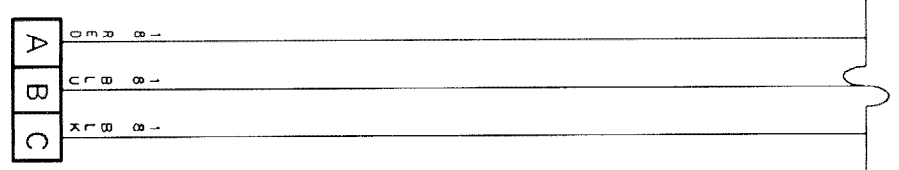
- 2004-0430-AS HE Linear Actuator
- 2006-0443-AS LC Ground-Engine Cable
- 2006-0444-AS LC-Power Cable
- 2006-0445-AS Alternator-Starter Cable
- 2006-0446-AS Engine-Ground Cable
- 2006-0447-AS Alternator Power Cable
- 2006-0461-AS Module-LC Harness
- 2006-0463-AS LC-Distribution Harness
- 2006-0466-AS LC-Fan-Ignition Harness
- ELEC LP 1 Low Pressure Switch
- ELEC HP 1 High Pressure Switch

**LEGEND**

- Represents a single terminal
- A B Represents a multi-terminal plug, terminal locations, plug number, and female terminals.



COMPONENTS SHOWN  
 2006-0464-AS Module-Unit Harness  
 2006-0465-AS Module-Cab Harness  
 ELEC FAN Fan Switch

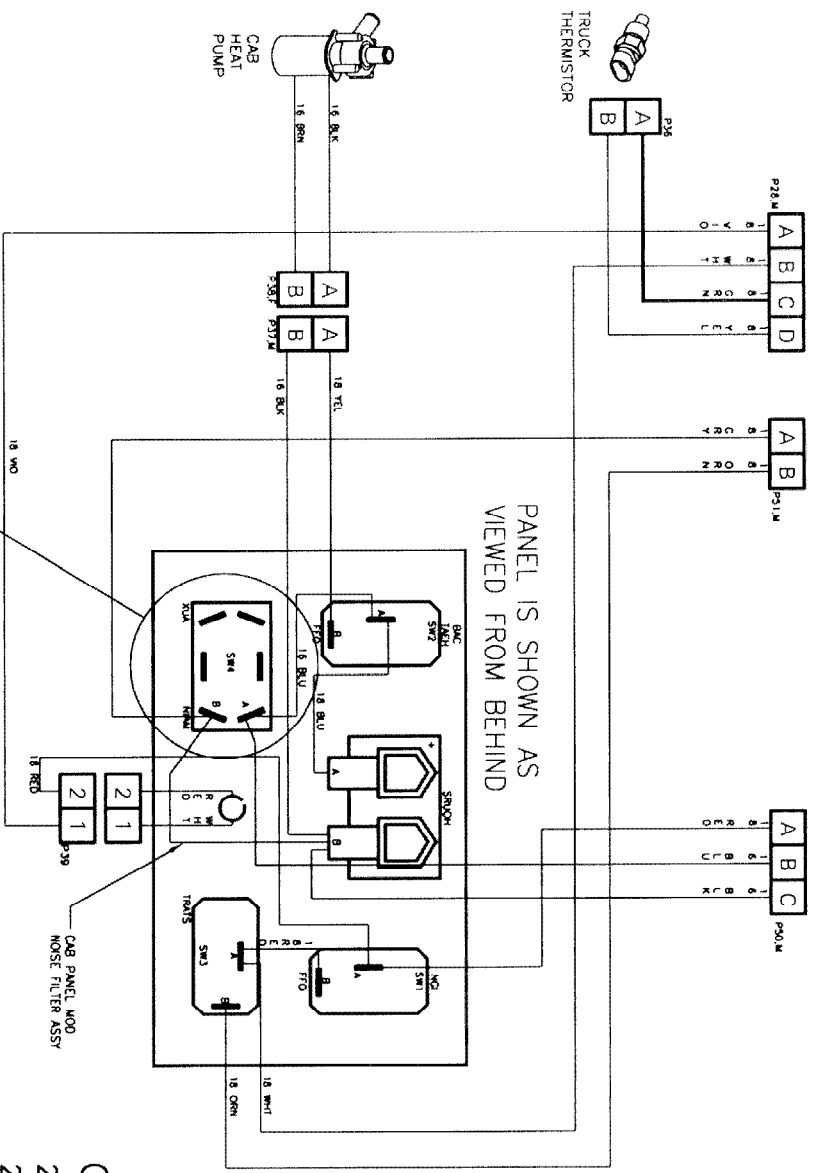


**PONY PACK, INC.**  
 Albuquerque, NM

**2004/06 Unit Wiring**  
 Page 2

INCHES UNLESS NOTED OTHERWISE	
TOLERANCES	DRAWING TYPE
2 PLC. = ± .03	<input type="checkbox"/> DIMENSION
3 PLC. = ± .010	<input type="checkbox"/> ASSEMBLY
4 PLC. = ± .0050	<input checked="" type="checkbox"/> SCHEMATIC
ANGLES = ± 1'	<input type="checkbox"/> QUALIFYING
	<input type="checkbox"/> 3D
	<input type="checkbox"/> OTHER

ITEM NO	REV:
DRAWN BY: RSL	DRAW DATE: 03-17-06
CHECKED BY: RSL	RELEASE DATE: 03-17-06
APPROVED BY: DG	LAST REVISION:
	SCALE: None
	SIZE: A
	SHEET: 2 of 3



MAIN/AUX Switch  
 This switch controls which A/C System, Pony Pack(AUX) or truck(MAIN) will provide cooling when the driver turns on the A/C from the truck's dashboard controls.

This switch's wiring is different for each truck. Refer to the included SWITCH 4 WIRING SCHEMATICS.

- COMPONENTS SHOWN**
- 2004-0406-AS Control Panel Assembly
  - 2004-0419-AS Cab Heat Pump Assembly
  - 2004-0421-0 Coolant Fluid Thermister
  - 2006-0460-AS 2006 Cab Harness, 27 ft
  - 2004-0477-AS Noise Filter Assy

**PONY PACK, INC.**  
 Albuquerque, NM

**2004/06 Unit Wiring**  
 Page 3

INCHES UNLESS NOTED OTHERWISE		ITEM NO		REV:	
TOLERANCES				—	
2	PLC. = ± .03				
3	PLC. = ± .010				
4	PLC. = ± .0050				
ANGLES = ± 1°					
DRAWING TYPE					
<input type="checkbox"/> DIMENSION					
<input type="checkbox"/> ASSEMBLY					
<input checked="" type="checkbox"/> SCHEMATIC					
<input type="checkbox"/> QUALIFYING					
<input type="checkbox"/> 3D					
<input type="checkbox"/> OTHER					
DRAWN BY:	RSL	DRAW DATE:	03-17-06	SCALE:	None
CHECKED BY:	RSL	RELEASE DATE:	03-17-06	SIZE:	A
APPROVED BY:	DG	LAST REVISION:		SHEET:	3 of 3